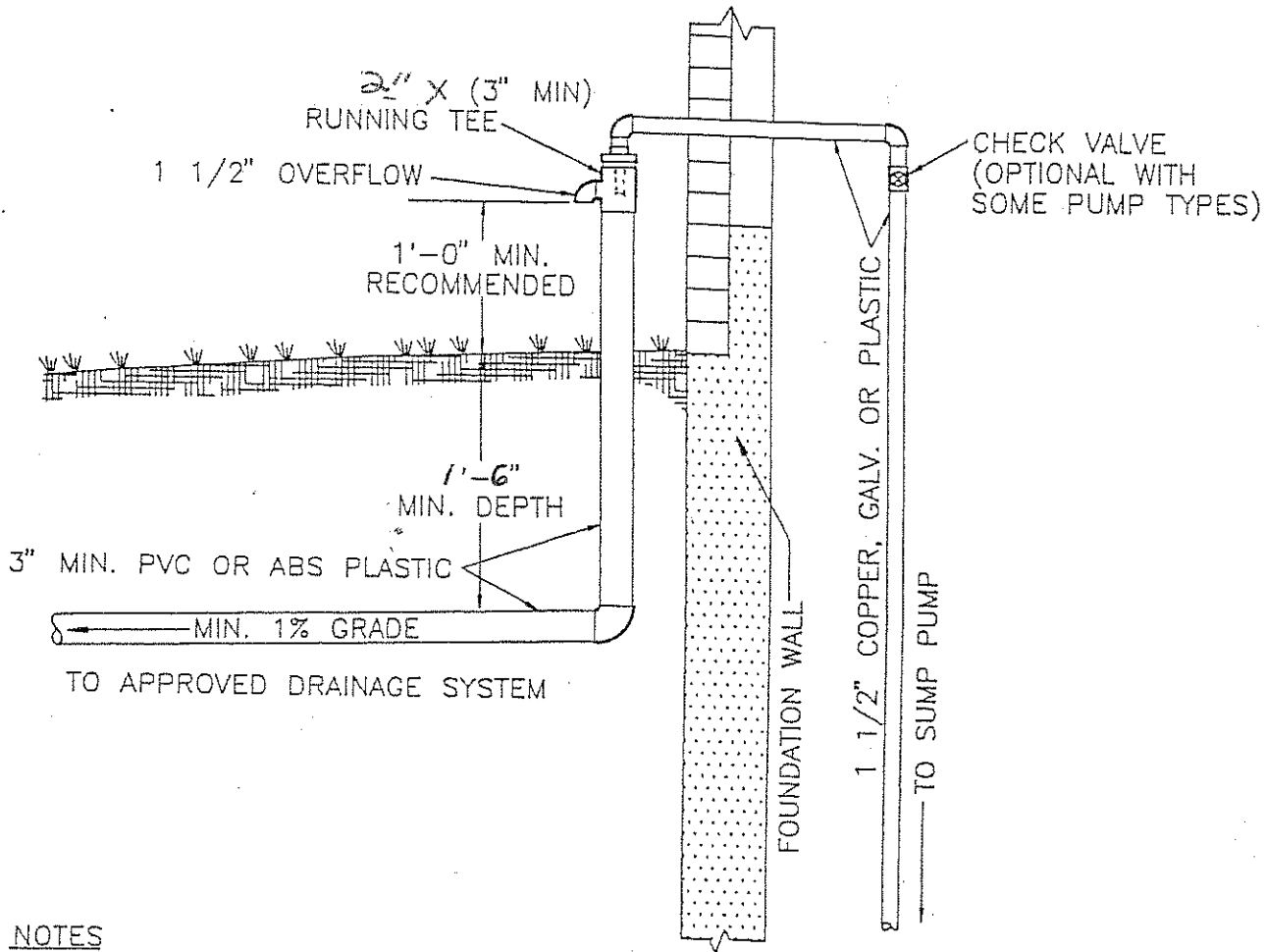


SUMP PUMP DISCHARGE SYSTEM



NOTES

GRADE FROM HOUSE TO STORM TEE SHALL BE A MINIMUM OF 1 %.

DISCHARGE PIPE SHALL BE MIN. 3" DIAMETER PIPE. APPROVED PIPE SHALL BE PVC OR ABS PLASTIC PIPE.

APPROVED JOINTS MAY BE RUBBER PUSH ON OR WELDED HUB JOINT. NO-HUB JOINTS ARE NOT PERMITTED.

NO DOWN SPOUTS MAY BE CONNECTED TO THE SUMP DISCHARGE LINE.

CHECK VALVE MAY ONLY BE INSTALLED ON INSIDE STRUCTURE.

CITY OF ROCHESTER HILLS
Engineering Department

1000 ROCHESTER HILLS DRIVE
 ROCHESTER HILLS, MICHIGAN 48309

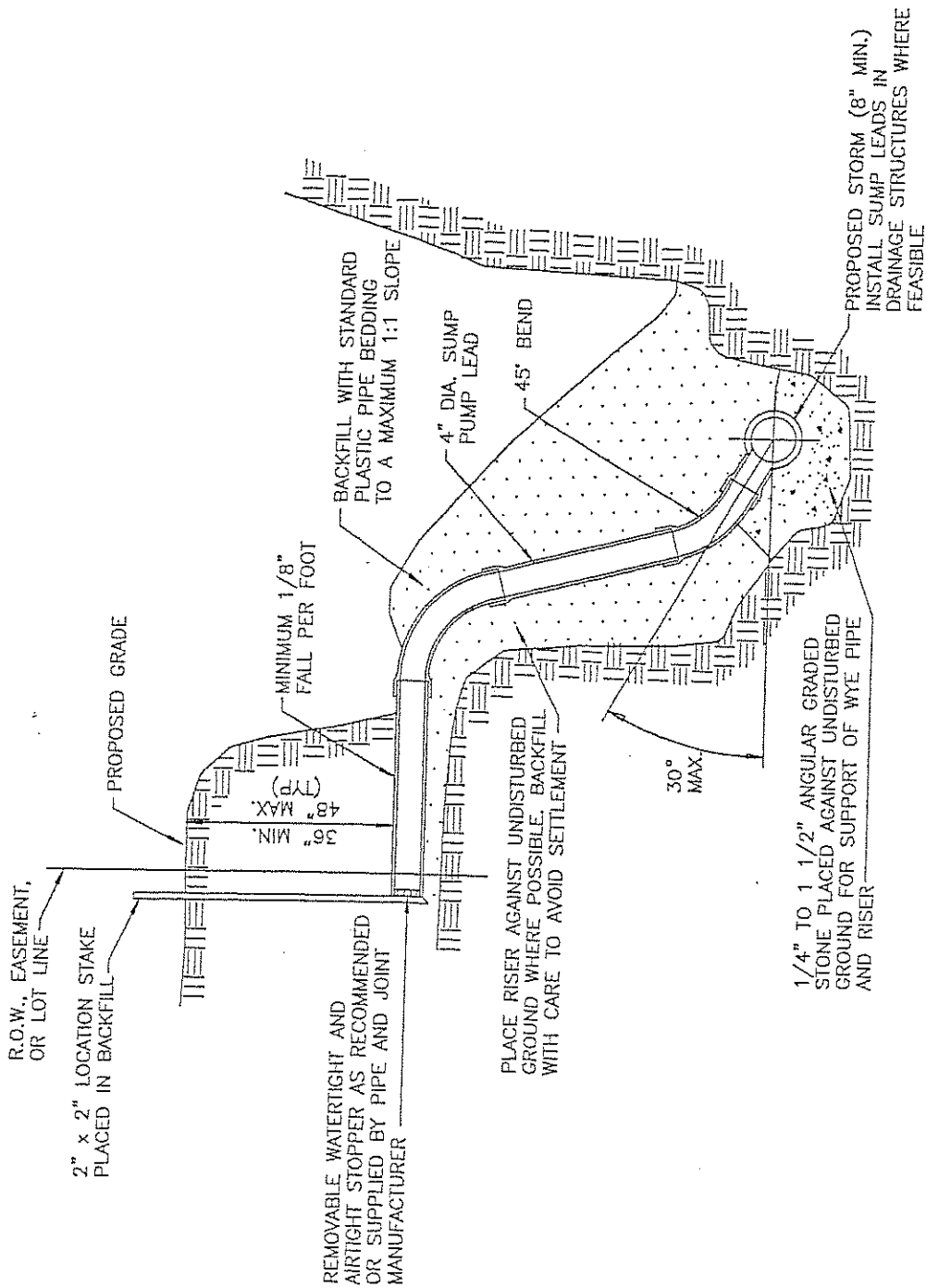
drawing no.

1

of

1

STANDARD DETAIL
 SUMP PUMP
 INSTALLATION



HOUSE LEAD DETAIL FOR 4" DIA. PLASTIC SUMP PUMP LEADS

NO SCALE

SUMP DISCHARGE LAYOUT

LIST

- 1 - 1 1/2" SCH 40 PVC
- 2 - 1 1/2" HUBBED 90°
- 3 - 3" x 2" SCH 30 BUSHING
- 4 - 3" x 1 1/2" SCH 30 T
- 5 - 1 1/2" STREET 90°
- 6 - 3" SCH 30 PVC

